

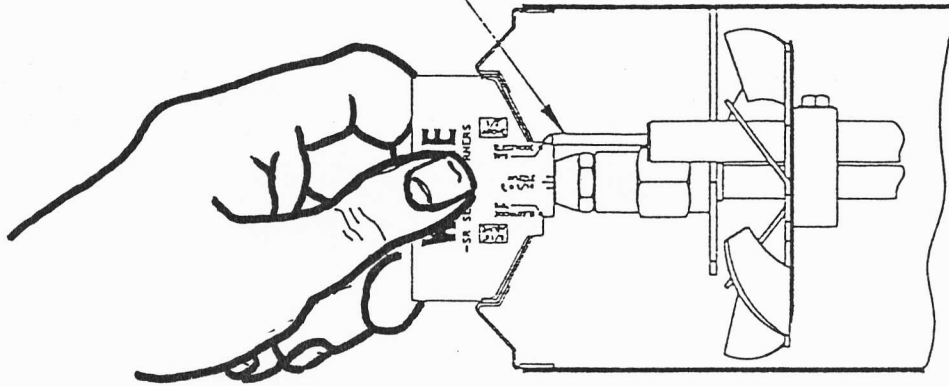
WAYNE COMBUSTION SYSTEMS

GUN SETTING GAUGE INSTRUCTIONS

(FOR "SR" SERIES OIL BURNERS ONLY)

INSERT "SR" GUN SETTING GAUGE P/N 14200 (AS SHOWN BELOW) TO CHECK ELECTRODE SETTING AND NOZZLE POSITIONING.

NOTE: ELECTRODE IS STRAIGHT

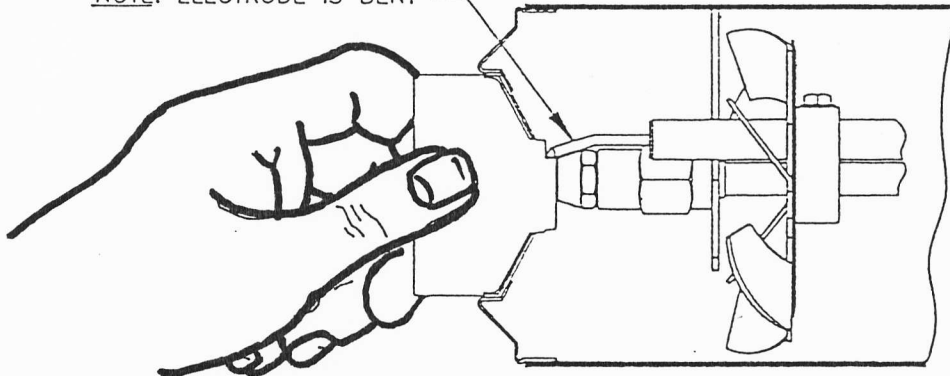


1/2" ELECTRODE SETTING ABOVE ϕ OF NOZZLE

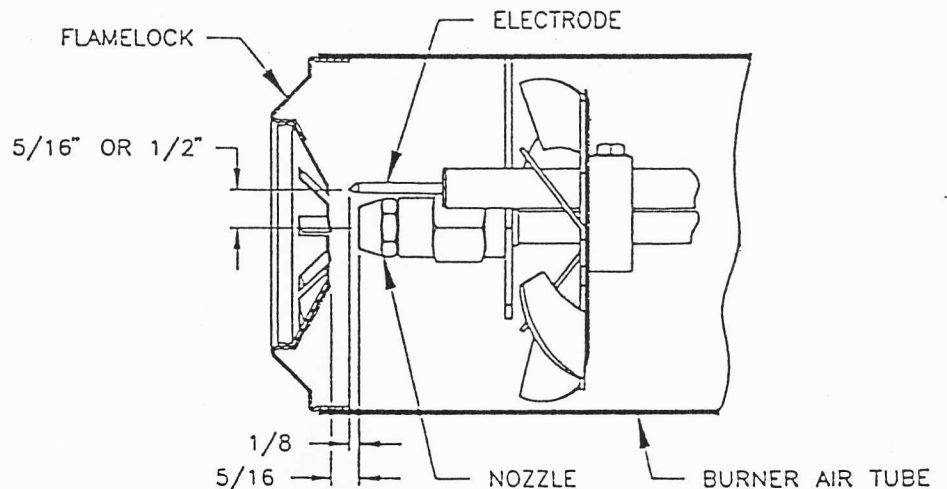
-OR-

FLIP GUN SETTING GAUGE FOR 5/16" SETTING

NOTE: ELECTRODE IS BENT



5/16" ELECTRODE SETTING ABOVE ϕ OF NOZZLE



DIM'S AS SHOWN UNLESS OTHERWISE SPECIFIED