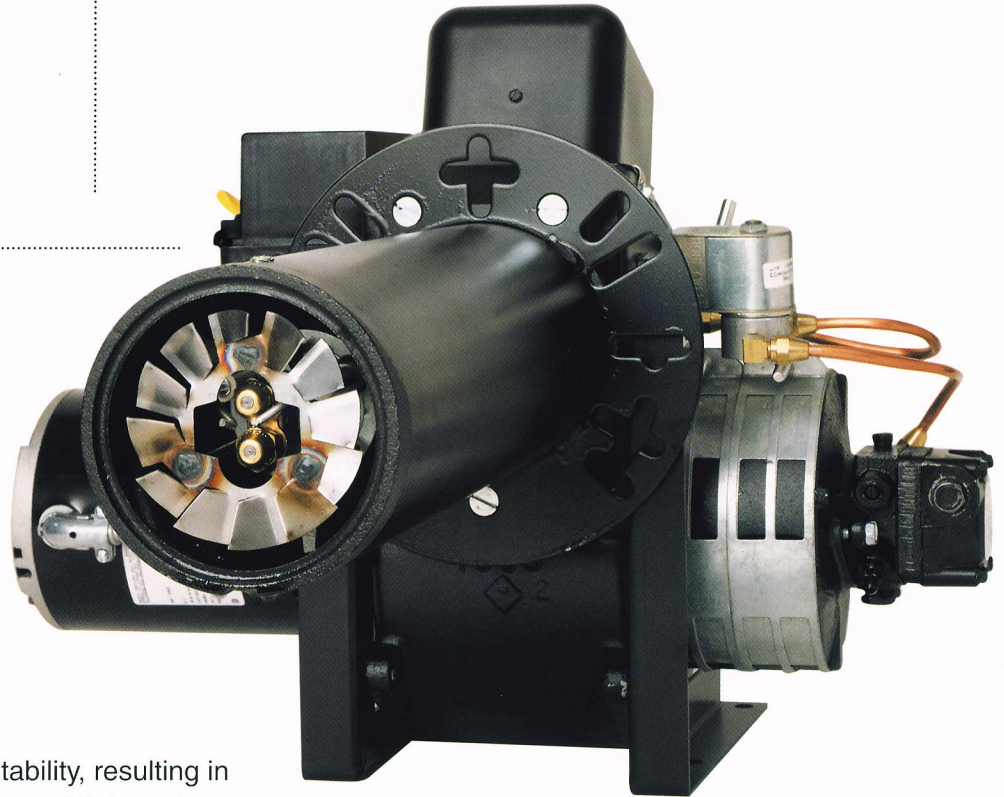
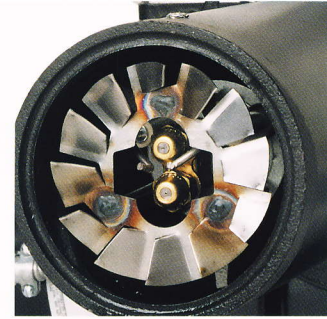


Model FH

FH

OIL BURNERS



FH features:

Flamelock® assures positive flame stability, resulting in a clean, uniform high temperature flame. High static pressure for better air/oil mixture. Clean, smooth ignition and sharp, positive shutoff prevents carbon soot from forming. Nozzle operating temperatures remain low. Economy results from high CO₂ readings, providing a high combustion efficiency that saves fuel.

- Lower emissions
- Improved efficiencies
- Pulsation free
- Positive retention
- Controlled flame pattern
- Quiet stops and starts
- Low nozzle temperatures
- High static pressure overcomes adverse draft conditions



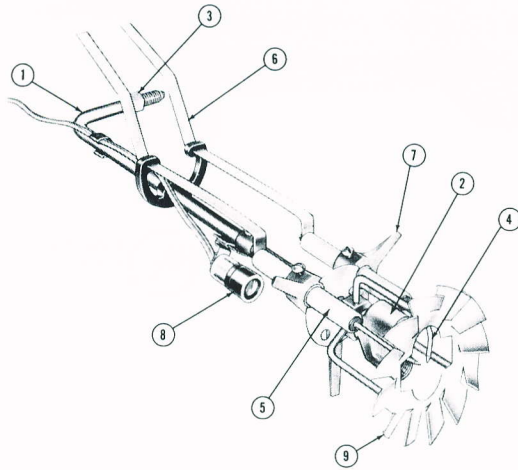
Specifications

FH

OIL BURNERS

FH OIL BURNER

Capacity	4.00 GPH thru 13.00 GPH (560,000 - 1,820,000 Btu/Hr), No. 1 or No. 2 fuel oil.
Fuel Pump	Standard 3450 RPM two stage fuel pump - easy to service.
Solenoid Oil Valve	Standard delayed solenoid oil valve.
Controls	Standard - 15 second control with Cadmium cell installed.
Ignition	10,000V constant duty transformer. TV-Radio interference proof. Positive make or break contact with electrodes. Swing-away design swings open for easy access to gun assembly.
Motor	1/2 Hp, 1 Phase, capacitor start, 3450 RPM, 115V / 60Hz.
Fan Housing	One piece die cast fan housing. High strength aluminum alloy maintains lifetime alignment of moving parts. No vibration. Less wear. Insures whisper-quiet operation.
Mounting	Optional adjustable flange and pedestal mount available.
Nozzle Adapter	Brass dual nozzle adapter.
Air Adjustment	Patented multiple air adjusting bands interlock for positive air adjustment.
Air Tube	Heavy duty 16 gauge seamless material.
Air Cone	Heavy duty cast iron construction, easily changed for different firing rate ranges.
Serviceable	Easy access to all parts permits quick inspection and cleaning. Entire burner is disassembled in a few seconds without the need of special tools.
50 Hz Burners	Available, special order, maximum firing rate reduced to 10.75 GPH (1,505,000 Btu/Hp).
Shipping Weight	75 lbs. and up.



FLAMELOCK® GUN ASSEMBLY

Simple, easy to adjust. No moving parts. consists of (1) steel oil tube, (2) twin nozzle adapter, (3) oil-tight brass fittings, (4) stainless steel ignition points, (5) glazed porcelain insulators, (6) durable brass electrode springs, (7) cast aluminum electrode support, (8) cadmium sulphide flame sensing element, (9) stainless steel FlameLock®.

SERVICEABLE

Easy access to all parts permits quick inspection and cleaning. Entire burner is disassembled in a few seconds without the need of special tools.

THE MODEL FH IS EQUIPPED WITH OUR OWN EXCLUSIVE PATENTED FLAME RETENTION DEVICE.

STANDARD MODEL FH OIL BURNERS (FULLY ASSEMBLED)

PART NO.

DESCRIPTION

300-032	FH 10" two stage fuel unit, 15 second control, cadmium cell and oil valve.
300-034	FH 15" two stage fuel unit, 15 second control, cadmium cell and oil valve.